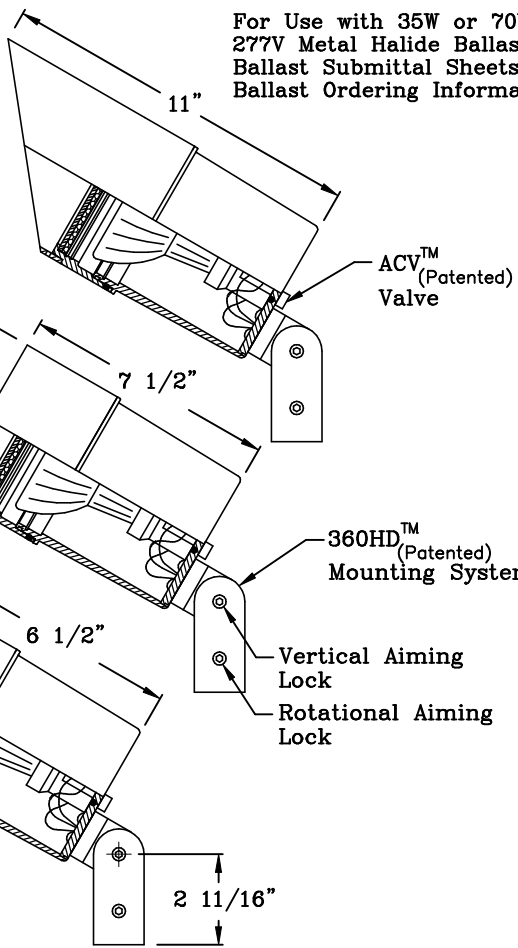


STYLE A

STYLE B

STYLE C



For Use with 35W or 70W, 120V or 277V Metal Halide Ballast. See Ballast Submittal Sheets for Ballast Ordering Information.

Clear Lens (Standard)

ACV™ (Patented) Valve

360HD™ (Patented) Mounting System

Vertical Aiming Lock

Rotational Aiming Lock

Optional Lens or Shielding (Up to Two can be Specified)

Features:

- All Precision Machined Aluminum Construction.
- 360HD™ (Patented) Knuckle System Allows Vertical to Horizontal and Rotational Aiming with Positive Aim and Lock Technology. Provides Integral Wireway.
- Medium Base Pulse Rated Lampholder With 250°C, 18 Ga. Wire Leads (Leads Extend 6" Beyond Mounting Knuckle).
- Utilizes PAR30 Metal Halide Lamp, 35W or 70W.
- Completely Sealed Optical Compartment, Clear Tempered Glass Lens, Factory Sealed.
- Tamperproof Design, Utilizes Three Hex Head Set Screws.
- ACV™ (Patented) Valve System.
- Polyester Powdercoat Finishes Standard. (Specify)

CATALOG NUMBER LOGIC

EXAMPLE: SE - 63 - BLW - 10 - 11 - C - HP2-H70E-MT - CPC

Series: _____

Lamp Type: _____

- 0 - By Others
- 60 - PAR30L MH/SP(35W), 10° Spot
- 61 - PAR30L MH/FL(35W), 30° Flood
- 62 - PAR30L MH/SP(70W), 10° Spot
- 63 - PAR30L MH/FL(70W), 40° Flood

Finish: _____

| Powdercoat | Satin | Wrinkle |
|---------------|-------|---------|
| Bronze | BZP | BZW |
| Black | BLP | BLW |
| White (Gloss) | WHP | WHW |
| Aluminum | SAP | --- |
| Verde | --- | VER |

Lens Type: _____

- 9 - Clear (Standard)
- 10 - Spread
- 13 - Rectilinear

Shielding: _____

- 11 - Honeycomb Baffle

Cap Style: _____

- A - 45°
- B - 90°
- C - Flush

Ballast Style and Input Voltage: _____

(See Ballast Drawings For Specification Information)

- HP2-H35E-MT* - (35W) Recessed In Grade Electronic
- HP2-H70E-MT* - (70W) Recessed In Grade Electronic
- HP2RM-H35M-120 or 277 - (35W) Recessed Remote In Grade Magnetic
- HP2RM-H70M-120 or 277 - (70W) Recessed Remote In Grade Magnetic
- HP2RM-H35E-MT* - (35W) Recessed Remote In Grade Electronic
- HP2RM-H70E-MT* - (70W) Recessed Remote In Grade Electronic
- PPII-H35E-MT* - (35W) Power Pipe II Above Grade Electronic
- PC-H35E-MT* - (35W) Power Canopy Wall or Ceiling Mount Electronic
- PC-H70E-MT* - (70W) Power Canopy Wall or Ceiling Mount Electronic
- RM-H35M-120 or 277 - (35W) Screw Cover Remote Wall Mount Magnetic
- RM-H70M-120 or 277 - (70W) Screw Cover Remote Wall Mount Magnetic
- RM-H35E-MT* - (35W) Screw Cover Remote Wall Mount Electronic
- RM-H70E-MT* - (70W) Screw Cover Remote Wall Mount Electronic
- TSB-H35E-MT*-LENGTH - (35W) Tree Strap Mount Electronic
- TSB-H70E-MT*-LENGTH - (70W) Tree Strap Mount Electronic
- TMB-H35E-MT* - (35W) Pole Top or Tenon Mounted Electronic
- TMB-H70E-MT* - (70W) Pole Top or Tenon Mounted Electronic

*MT = 120/208/240/277 Multi Tap

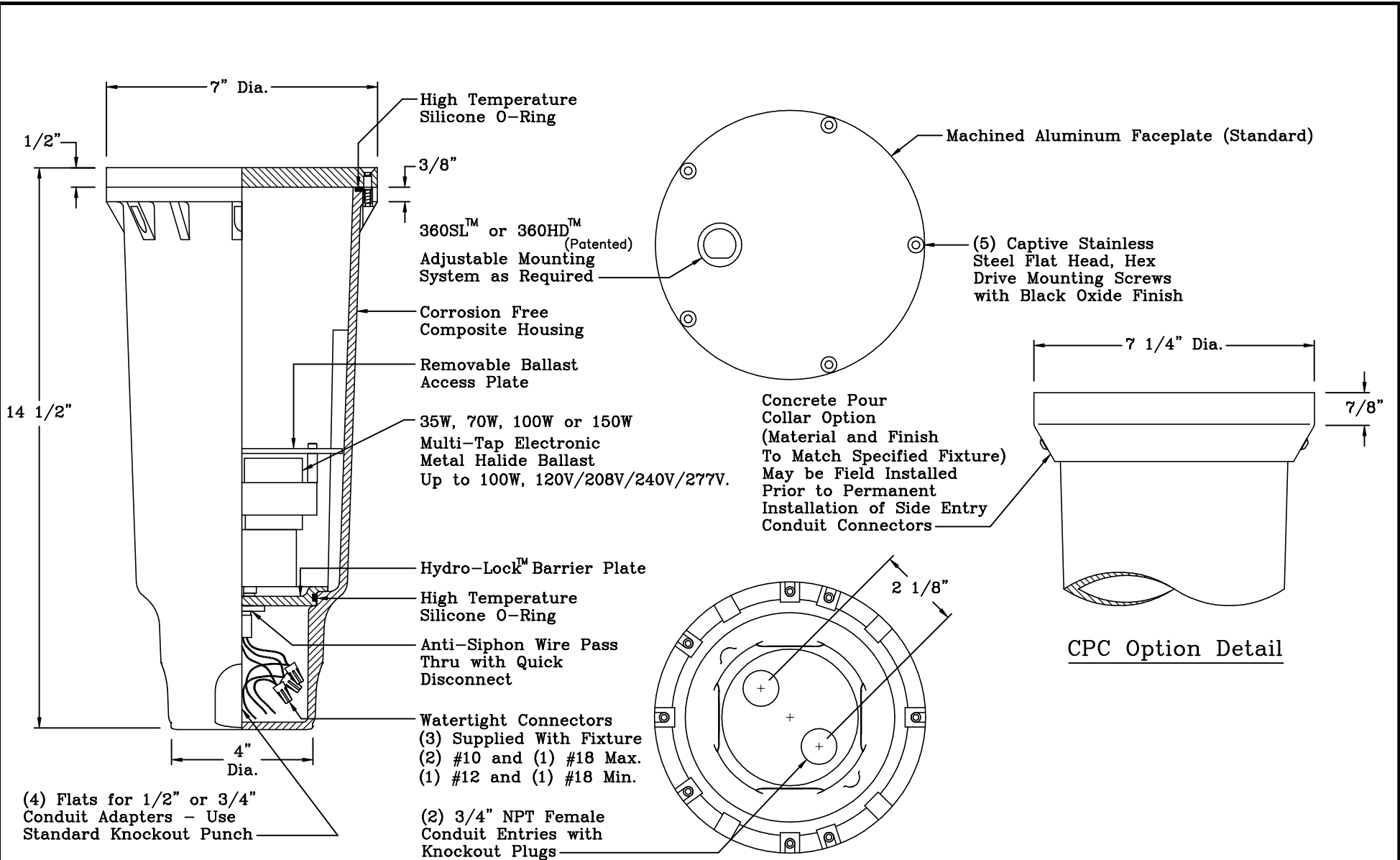
Options: _____

CPC - Concrete Pour Collar (HP2 & HP2RM Only)

PAR30, 35W or 70W Metal Halide



| | |
|-------------------------------|---------------------------|
| SIERRA SERIES™ | |
| 3/03 | B-K LIGHTING, INC. |
| DRAWING NUMBER SUB-1140-10 | |



Bottom Detail

See Reverse Side For Ballast Catalog Number Logic

For Use With EV™, SE™, K2™, YO™ or SU™ Series Metal Halide Fixtures



| | |
|--|--------------------|
| HP ² ™ METAL HALIDE BALLAST | |
| 5/02 | B-K LIGHTING, INC. |
| DRAWING NUMBER SUB-1215-02 | |

CATALOG NUMBER LOGIC

(Add to Fixture Catalog Number)

EXAMPLE: HP2 - H35E - MT - CPC

Housing: _____

HP2

Ballast Type: _____

H35E - 35W Electronic
H70E - 70W Electronic
H100E - 100W Electronic

Input Voltage: _____

MT - Multi-Tap Electronic
Metal Halide Ballast 120/208/240/277

Options: _____

CPC - Concrete Pour Collar ●

- (Material and Finish to Match Specified Fixture)
- (May be Field Installed Prior to Permanent Installation of Side Entry Conduit Connectors)

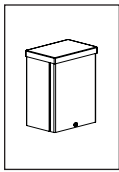
Features:

- Precision Machined Aluminum Faceplate.
- Corrosion Free Composite Recessed Below Grade Housing.
- 360SL™ or 360HD™ (Patented) Adjustable Mounting System, Allows Rotational Adjustment with O-Ring Seal and Tamperproof Design.
- 35W, 70W or 100W Multi-Tap Electronic Metal Halide Ballast 120V/208V/240V/277V.
- Junction Box with Hydro-Lock™ Barrier Plate.
- Concrete Pour Collar Available in Aluminum or Brass.
- Large High Temperature Silicone Compression Type O-Ring with Five Stainless Steel Countersunk Hex Socket Captive Mounting Screws, Creates Water Tight Seal.
- Watertight Connectors, (3) Supplied with Fixture.

For Use With EV™, SE™, K2™, YO™ or SU™
Series Metal Halide Fixtures



| | |
|--|---------------------------|
| HP ² ™ METAL HALIDE BALLAST CATALOG NO. LOGIC | |
| 5/02 | B-K LIGHTING, INC. |
| DRAWING NUMBER SUB-1215-02 | |



Surface Mount

Remote Ballast Housing

| | |
|------------------------|--|
| PROJECT: | |
| TYPE: | |
| CATALOG NUMBER: | |
| SOURCE: | |
| NOTES: | |

CATALOG NUMBER LOGIC



Remote Ballast Housing

RM - Remote Wall Mount

Ballast Type

Metal Halide

H35M - (35W) Magnetic

H50M - (50W) Magnetic

H70M - (70W) Magnetic

H100M - (100W) Magnetic

H150M - (150W) Magnetic

H35E - (35W) Electronic

H50E - (50W) Electronic

H70E - (70W) Electronic

H100E - (100W) Electronic

H150E - (150W) Electronic*

High Pressure Sodium

S35M - (35W) Magnetic**

S50M - (35W) Magnetic

S70M - (70W) Magnetic

* H150E Available in 120 VAC or 277 VAC only. ** S35M Available in 120 VAC Only.

Input Voltage

120 - 120 Volt

277 - 277 Volt

MT - 120/208/240/277 Volt Multi Tap

Electronic Ballast Only. * H150E available in 120 VAC or 277 VAC only

Finish

Aluminum Finishes

| Powder Coat Color | Satin | Wrinkle |
|-------------------|------------|------------|
| Bronze | BZP | BZW |
| Black | BLP | BLW |
| White (Gloss) | WHP | WHW |
| Aluminum | SAP | — |
| Verde | — | VER |

Also available in Premium Finishes. See submittal SUB-1439-00 for Premium Finishes.

⚠ REMOTE WIRING

Remote ballast installations require inter-connected wiring between the lamp and ballast (by others) and have specific wiring requirements between these components. Ballast manufacturers regularly recommend the following wiring details for such installations.

Electronic Ballast

- 1 Foot Minimum and 15 Foot Maximum Remote Wire Length (Ballast to Lamp Socket).
- Lamp leads must be run in a separate, dedicated metal conduit.
- Lamp leads must be 18 gauge, wire type SF-2 or SFF-2.
- Lamp leads must be placed in a minimum 1/2" internal diameter conduit, pipe, or flexible conduit.
- The use of metal clad cable assemblies or service power cords (SJ, SO, etc.) is prohibited.

Magnetic Ballast

- 35 Watt = 15 Foot Minimum and 50 Foot Maximum Remote Wire Length (Ballast to Lamp Socket).
- >35 Watt = 1 Foot Minimum and 50 Foot Maximum Remote Wire Length (Ballast to Lamp Socket).

Please consult the factory through your local B-K Lighting Sales Representative prior to finalizing any installation detail utilizing remote ballast wiring.

Failure to comply with specific wiring requirements will void product warranty.

BALLAST ELECTRICAL DATA

| BALLAST | TYPE | INPUT VOLTS | INPUT WATTS | INPUT CURRENT | CIRCUIT TYPE | MINIMUM START TEMPERATURE | REMOTE BALLAST WIRE LENGTH |
|--|------------|-------------|-------------|---------------|--------------|---------------------------|----------------------------|
| H35M | Magnetic | 120 | 53 | 1.10 | HX-HPF | -20° F | 15' Min - 50' Max. |
| H35M | Magnetic | 277 | 56 | 0.40 | HX-HPF | -20° F | 15' Min - 50' Max. |
| H50M | Magnetic | 120 | 72 | 1.00 | HX-HPF | -20° F | 1' Min - 50' Max. |
| H50M | Magnetic | 277 | 72 | 0.50 | HX-HPF | -20° F | 1' Min - 50' Max. |
| H70M | Magnetic | 120 | 90 | 1.90 | HX-HPF | -20° F | 1' Min - 50' Max. |
| H70M | Magnetic | 277 | 90 | 0.80 | HX-HPF | -20° F | 1' Min - 50' Max. |
| H100M | Magnetic | 120 | 129 | 1.50 | HX-HPF | -22° F | 1' Min - 50' Max. |
| H100M | Magnetic | 277 | 118 | 0.35 | HX-HPF | -22° F | 1' Min - 50' Max. |
| H150M | Magnetic | 120 | 185 | 1.90 | HX-HPF | -22° F | 1' Min - 50' Max. |
| H150M | Magnetic | 277 | 173 | 0.75 | HX-HPF | -22° F | 1' Min - 50' Max. |
| H35E* | Electronic | 120 | 44 | 0.39 | HPF | -5° F | 1' Min - 15' Max. |
| H35E* | Electronic | 277 | 44 | 0.17 | HPF | -5° F | 1' Min - 15' Max. |
| H50E* | Electronic | 120 | 58 | 0.49 | HPF | -5° F | 1' Min - 15' Max. |
| H50E* | Electronic | 277 | 58 | 0.21 | HPF | -5° F | 1' Min - 15' Max. |
| H70E* | Electronic | 120 | 79 | 0.67 | HPF | -5° F | 1' Min - 15' Max. |
| H70E* | Electronic | 277 | 79 | 0.29 | HPF | -5° F | 1' Min - 15' Max. |
| H100E* | Electronic | 120 | 110 | 0.90 | HPF | -5° F | 1' Min - 15' Max. |
| H100E* | Electronic | 277 | 110 | 0.41 | HPF | -5° F | 1' Min - 15' Max. |
| H150E* | Electronic | 120 | 167 | 1.40 | HPF | -22° F | 1' Min - 15' Max. |
| H150E* | Electronic | 277 | 167 | 0.61 | HPF | -22° F | 1' Min - 15' Max. |
| *Ballast Manufacture's requirement: Wire used must only be 18 gauge, SF2 or SFF2, and be in a dedicated metal conduit of 1/2" I.D. Minimum, per lamp. | | | | | | | |
| S35M | Magnetic | 120 | 46 | 0.80 | RX-HPF | -40° F | 1' Min - 15' Max. |
| S50M | Magnetic | 120 | 66 | 1.00 | HX-HPF | -40° F | 1' Min - 35' Max. |
| S50M | Magnetic | 277 | 66 | 0.50 | HX-HPF | -40° F | 1' Min - 35' Max. |
| S70M | Magnetic | 120 | 91 | 1.40 | HX-HPF | -40° F | 1' Min - 35' Max. |
| S70M | Magnetic | 277 | 91 | 0.70 | HX-HPF | -40° F | 1' Min - 35' Max. |

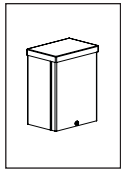
B-K LIGHTING

40429 Brickyard Drive • Madera, CA 93636 • USA
559.438.5800 • FAX 559.438.5900
www.bklighting.com • info@bklighting.com

SUBMITTAL DATE
6-13-11

DRAWING NUMBER
SUB-1799-00

THIS DOCUMENT CONTAINS PROPRIETARY INFORMATION OF B-K LIGHTING, INC. AND ITS RECEIPT OR POSSESSION DOES NOT CONVEY ANY RIGHTS TO REPRODUCE, DISCLOSE ITS CONTENTS, OR TO MANUFACTURE, USE OR SELL ANYTHING IT MAY DESCRIBE. REPRODUCTION, DISCLOSURE OR USE WITHOUT SPECIFIC WRITTEN AUTHORIZATION OF B-K LIGHTING, INC. IS STRICTLY FORBIDDEN.

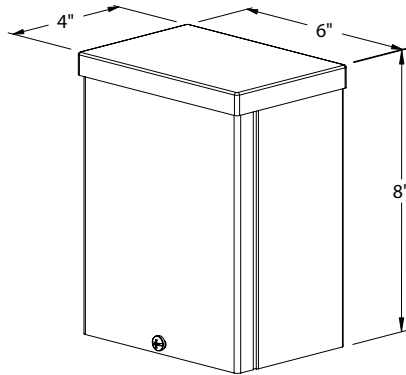


Surface Mount

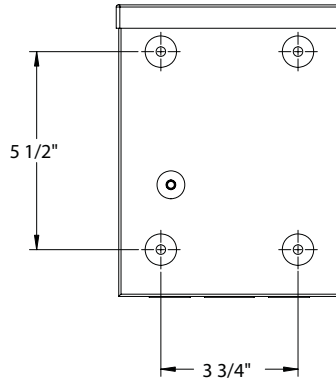
Remote Ballast Housing

| | |
|----------|--|
| PROJECT: | |
| TYPE: | |

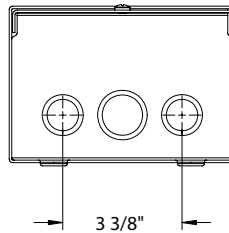
SIDE VIEW



BACK VIEW



END VIEW



SPECIFICATIONS

GreenSource Initiative™

Metal and packaging components are made from recycled materials. Manufactured using renewable solar energy, produced onsite. Returnable to manufacturer at end of life to ensure cradle-to-cradle handling. Packaging contains no chloro-fluorocarbons (CFC's). RoHs compliant.

Installation

Nema 3R, surface mount design. For use with remote metal halide fixture (specified separately).

Housing

Steel construction with screw cover. Front access for ease of installation and inspection. [2] bottom entry, 3/4" conduit knockouts.

Wiring / Connectors

Teflon® coated wire, 18 gauge, 600V, 250°C rated and certified to UL1659 standard. Pre-wired and labeled terminal strip.

Magnetic Ballast

[1] 35-150 watt, Class H insulated, integral, high power factor, magnetic ballast. 120V or 277V primary voltage, 60Hz.

Electronic Ballast

[1] 35-150 watt, integral, high power factor, electronic ballast. Multi-Tap (120/208/240/277V) primary voltage 50/60Hz. H150E available in 120V, or 277V primary voltage. 50/60Hz.

Finish

StarGuard® (Pat. Pend.), a 15 stage chromate-free process cleans and conversion coats aluminum components prior to application of Class 'A' TGIC polyester powder coating. RoHs compliant.

Warranty

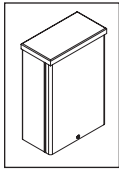
5 year limited warranty.

Listings

NEMA 3R Enclosure. ETL Listed to ANSI/UL Standard 50/50E and Certified to CAN/CSA Standard C22.2 No. 94.1/94.2. RoHs compliant. Made in USA.



®Teflon is a registered trademark of DuPont Corporation.



Surface Mount

Dual Remote Ballast Housing

| | |
|------------------------|--|
| PROJECT: | |
| TYPE: | |
| CATALOG NUMBER: | |
| SOURCE: | |
| NOTES: | |

CATALOG NUMBER LOGIC



Remote Ballast Housing

DRM - Remote Wall Mount Dual

Ballast Type (2 ballast choices required with DRM)

Metal Halide

H35M - (35W) Magnetic

H50M - (50W) Magnetic

H70M - (70W) Magnetic

H100M - (100W) Magnetic

H150M - (150W) Magnetic

H35E - (35W) Electronic

H50E - (50W) Electronic

H70E - (70W) Electronic

H100E - (100W) Electronic

H150E - (150W) Electronic*

High Pressure Sodium

S35M - (35W) Magnetic**

S50M - (35W) Magnetic

S70M - (70W) Magnetic

* H150E Available in 120 VAC or 277 VAC only. ** S35M Available in 120 VAC Only.

Input Voltage

120 - 120 Volt

277 - 277 Volt

MT - 120/208/240/277 Volt Multi Tap

Electronic Ballast Only. * H150E available in 120 VAC or 277 VAC only

Finish

Aluminum Finishes

| Powder Coat Color | Satin | Wrinkle |
|-------------------|------------|------------|
| Bronze | BZP | BZW |
| Black | BLP | BLW |
| White (Gloss) | WHP | WHW |
| Aluminum | SAP | — |
| Verde | — | VER |

Also available in Premium Finishes. See submittal SUB-1439-00 for Premium Finishes.

REMOTE WIRING

Remote ballast installations require inter-connected wiring between the lamp and ballast (by others) and have specific wiring requirements between these components. Ballast manufacturers regularly recommend the following wiring details for such installations.

Electronic Ballast

- 1 Foot Minimum and 15 Foot Maximum Remote Wire Length (Ballast to Lamp Socket).
- Lamp leads must be run in a separate, dedicated metal conduit.
- Lamp leads must be 18 gauge, wire type SF-2 or SFF-2.
- Lamp leads must be placed in a minimum 1/2" internal diameter conduit, pipe, or flexible conduit.
- The use of metal clad cable assemblies or service power cords (SJ, SO, etc.) is prohibited.

Magnetic Ballast

- 35 Watt = 15 Foot Minimum and 50 Foot Maximum Remote Wire Length (Ballast to Lamp Socket).
- >35 Watt = 1 Foot Minimum and 50 Foot Maximum Remote Wire Length (Ballast to Lamp Socket).

Please consult the factory through your local B-K Lighting Sales Representative prior to finalizing any installation detail utilizing remote ballast wiring.

Failure to comply with specific wiring requirements will void product warranty.

BALLAST ELECTRICAL DATA

| BALLAST | TYPE | INPUT VOLTS | INPUT WATTS | INPUT CURRENT | CIRCUIT TYPE | MINIMUM START TEMPERATURE | REMOTE BALLAST WIRE LENGTH |
|---|------------|-------------|-------------|---------------|--------------|---------------------------|----------------------------|
| H35M | Magnetic | 120 | 53 | 1.10 | HX-HPF | -20° F | 15' Min - 50' Max. |
| H35M | Magnetic | 277 | 56 | 0.40 | HX-HPF | -20° F | 15' Min - 50' Max. |
| H50M | Magnetic | 120 | 72 | 1.00 | HX-HPF | -20° F | 1' Min - 50' Max. |
| H50M | Magnetic | 277 | 72 | 0.50 | HX-HPF | -20° F | 1' Min - 50' Max. |
| H70M | Magnetic | 120 | 90 | 1.90 | HX-HPF | -20° F | 1' Min - 50' Max. |
| H70M | Magnetic | 277 | 90 | 0.80 | HX-HPF | -20° F | 1' Min - 50' Max. |
| H100M | Magnetic | 120 | 129 | 1.50 | HX-HPF | -22° F | 1' Min - 50' Max. |
| H100M | Magnetic | 277 | 118 | 0.35 | HX-HPF | -22° F | 1' Min - 50' Max. |
| H150M | Magnetic | 120 | 185 | 1.90 | HX-HPF | -22° F | 1' Min - 50' Max. |
| H150M | Magnetic | 277 | 173 | 0.75 | HX-HPF | -22° F | 1' Min - 50' Max. |
| H35E* | Electronic | 120 | 44 | 0.39 | HPF | -5° F | 1' Min - 15' Max. |
| H35E* | Electronic | 277 | 44 | 0.17 | HPF | -5° F | 1' Min - 15' Max. |
| H50E* | Electronic | 120 | 58 | 0.49 | HPF | -5° F | 1' Min - 15' Max. |
| H50E* | Electronic | 277 | 58 | 0.21 | HPF | -5° F | 1' Min - 15' Max. |
| H70E* | Electronic | 120 | 79 | 0.67 | HPF | -5° F | 1' Min - 15' Max. |
| H70E* | Electronic | 277 | 79 | 0.29 | HPF | -5° F | 1' Min - 15' Max. |
| H100E* | Electronic | 120 | 110 | 0.90 | HPF | -5° F | 1' Min - 15' Max. |
| H100E* | Electronic | 277 | 110 | 0.41 | HPF | -5° F | 1' Min - 15' Max. |
| H150E* | Electronic | 120 | 167 | 1.40 | HPF | -22° F | 1' Min - 15' Max. |
| H150E* | Electronic | 277 | 167 | 0.61 | HPF | -22° F | 1' Min - 15' Max. |
| *Ballast Manufacturer's requirement: Wire used must only be 18 gauge, SF2 or SFF2, and be in a dedicated metal conduit of 1/2" I.D. Minimum, per lamp. | | | | | | | |
| S35M | Magnetic | 120 | 46 | 0.80 | RX-HPF | -40° F | 1' Min - 15' Max. |
| S50M | Magnetic | 120 | 66 | 1.00 | HX-HPF | -40° F | 1' Min - 35' Max. |
| S50M | Magnetic | 277 | 66 | 0.50 | HX-HPF | -40° F | 1' Min - 35' Max. |
| S70M | Magnetic | 120 | 91 | 1.40 | HX-HPF | -40° F | 1' Min - 35' Max. |
| S70M | Magnetic | 277 | 91 | 0.70 | HX-HPF | -40° F | 1' Min - 35' Max. |

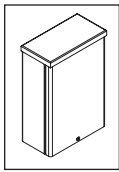
B-K LIGHTING

40429 Brickyard Drive • Madera, CA 93636 • USA
 559.438.5800 • FAX 559.438.5900
 www.bklighting.com • info@bklighting.com

SUBMITTAL DATE
6-13-11

DRAWING NUMBER
SUB001125

THIS DOCUMENT CONTAINS PROPRIETARY INFORMATION OF B-K LIGHTING, INC. AND ITS RECEIPT OR POSSESSION DOES NOT CONVEY ANY RIGHTS TO REPRODUCE, DISCLOSE ITS CONTENTS, OR TO MANUFACTURE, USE OR SELL ANYTHING IT MAY DESCRIBE. REPRODUCTION, DISCLOSURE OR USE WITHOUT SPECIFIC WRITTEN AUTHORIZATION OF B-K LIGHTING, INC. IS STRICTLY FORBIDDEN.

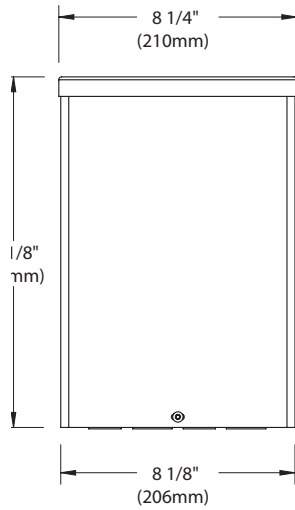


Surface Mount

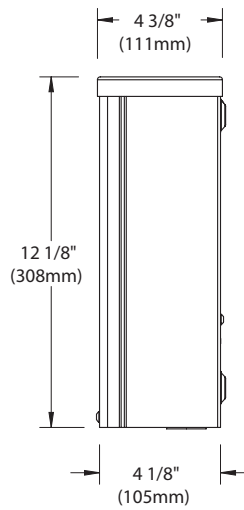
Dual Remote Ballast Housing

| | |
|----------|--|
| PROJECT: | |
| TYPE: | |

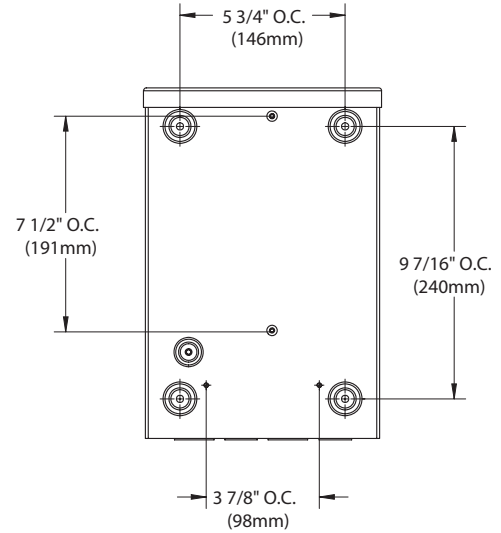
FRONT VIEW



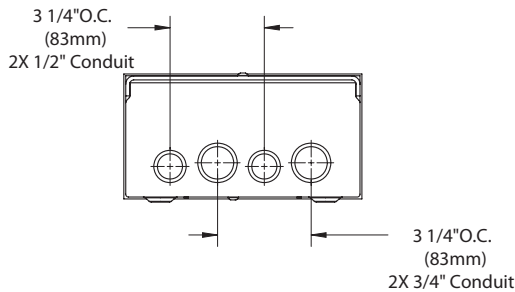
SIDE VIEW



BACK VIEW



END VIEW



SPECIFICATIONS

GreenSource Initiative™

Metal and packaging components are made from recycled materials. Manufactured using renewable solar energy, produced onsite. Returnable to manufacturer at end of life to ensure cradle-to-cradle handling. Packaging contains no chloro-fluorocarbons (CFC's). RoHs compliant.

Installation

Nema 3R, surface mount design. For use with remote metal halide fixture (specified separately).

Housing

Steel construction with screw cover. Front access for ease of installation and inspection. [2] bottom entry, 3/4" conduit knockouts.

Wiring / Connectors

Teflon® coated wire, 18 gauge, 600V, 250°C rated and certified to UL1659 standard. Pre-wired and labeled terminal strip.

Magnetic Ballast

[2] 35-150 watt, Class H insulated, integral, high power factor, magnetic ballast. 120V or 277V primary voltage, 60Hz.

Electronic Ballast

[2] 35-150 watt, integral, high power factor, electronic ballast. Multi-Tap (120/208/240/277V) primary voltage 50/60Hz. H150E available in 120V, or 277V primary voltage. 50/60Hz.

Finish

StarGuard® (Pat. Pend.), a 15 stage chromate-free process cleans and conversion coats aluminum components prior to application of Class 'A' TGIC polyester powder coating. RoHs compliant.

Warranty

5 year limited warranty.

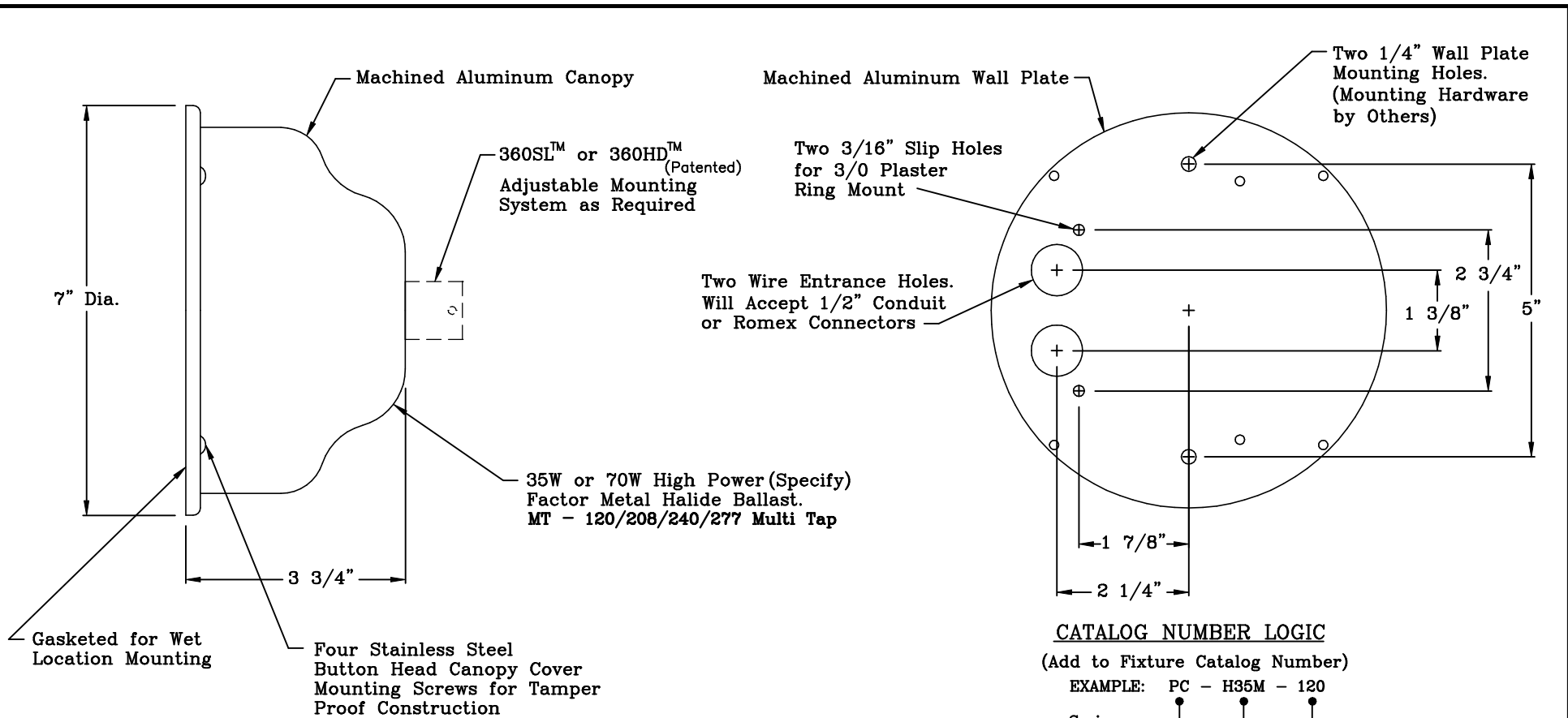
Listings

NEMA 3R Enclosure. ETL Listed to ANSI/UL Standard 1029 and Certified to CAN/CSA Standard C22.2 No. 74. RoHs compliant. Made in USA.



®Teflon is a registered trademark of DuPont Corporation.

| | | | |
|---------------------|---|----------------|----------------|
| B-K LIGHTING | 40429 Brickyard Drive • Madera, CA 93636 • USA 559.438.5800 • FAX 559.438.5900 www.bklighting.com • info@bklighting.com | SUBMITTAL DATE | DRAWING NUMBER |
| | | 6-13-11 | SUB001125 |



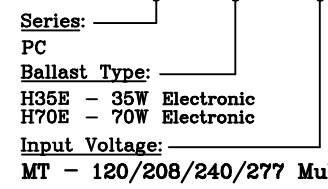
Features:

- All Precision Machined Aluminum Canopy and Wall Plate, with Stainless Steel Hardware.
- 360SL™ or 360HD™ (Patented) Adjustable Mounting System, Allows Rotational Adjustment with O-Ring Seal and Tamperproof Design.
- 35W or 70W High Power Factor, Metal Halide Ballast with Class H Insulation. (Specify)
- 120V or 277V Input Ballast Available. (Specify)
- Two 1/2" Conduit Entry Knockouts.
- Additional Junction Box Not Required, However Back Plate is Designed to Mount to Recessed Junction Box.

CATALOG NUMBER LOGIC

(Add to Fixture Catalog Number)

EXAMPLE: PC - H35M - 120



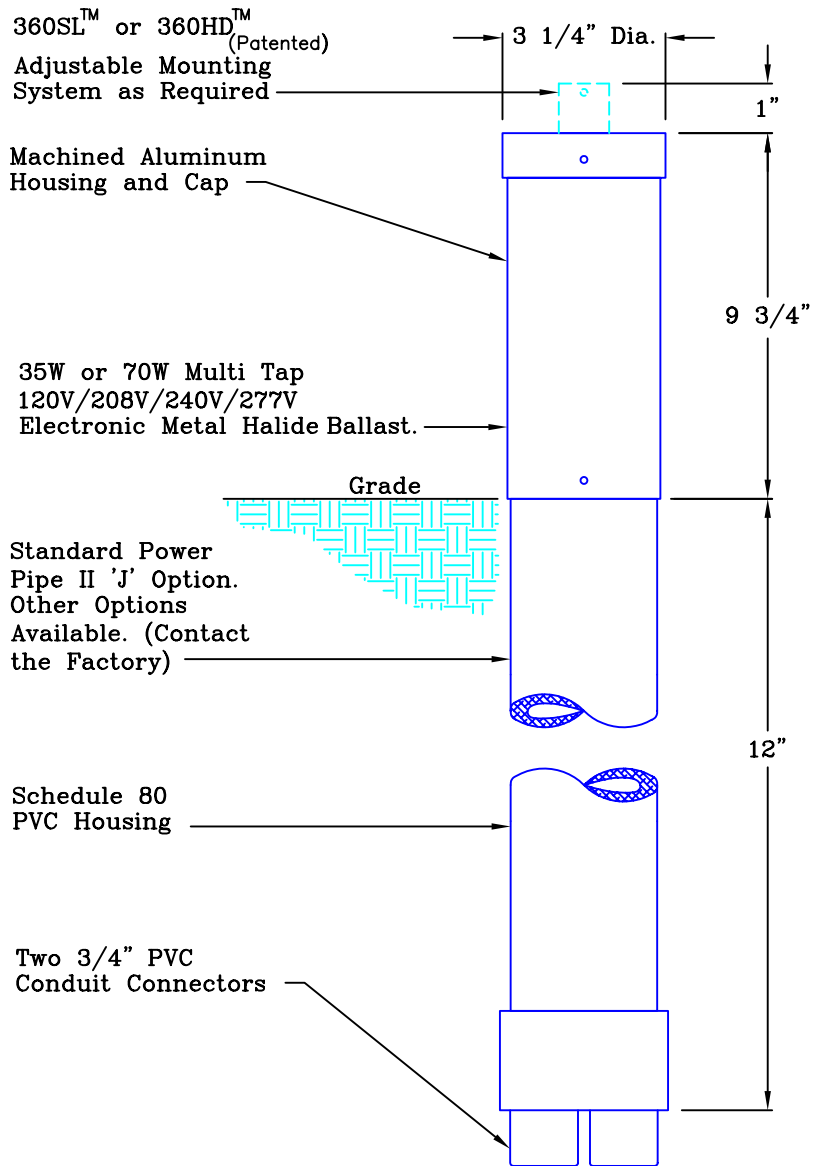
Wall or Ceiling Mount Only

Must Be Mounted One Foot Above Grade Level (Minimum)

For Use With EV™, SE™, YO™, or SU™ Series Metal Halide Fixtures



| | | |
|---------------------------------|---------------------------|-------------------------------|
| PC™ METAL HALIDE BALLAST SERIES | | |
| 3/03 | B-K LIGHTING, INC. | DRAWING NUMBER SUB-1138-05 |



CATALOG NUMBER LOGIC
(Add to Fixture Catalog Number)

EXAMPLE: PPII - H35E - MT

Series: PPII

Wattage: H35E - 35 Watt Ballast

Ballast Type: MT - Electronic Multi Tap 120/208/240/277

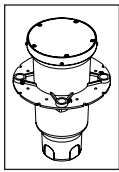
Features:

- Precision Machined Aluminum Ballast Housing and Cap with Tamperproof Design.
- Sealed with High Temperature Silicone O-Ring.
- Schedule 80 PVC Junction Box Below Grade with Two 3/4" PVC Conduit Connectors, Slip Type.
- 360SL™ or 360HD™ (Patented) Adjustable Mounting System, Allows Rotational Adjustment with O-Ring Seal and Tamperproof Design.
- 35W or 70W Multi Tap 120V/208V/240V/277V Electronic Ballast.

For Use With EV™, SE™, K2™, YO™, or SU™ Series Metal Halide Fixtures.



| | | |
|-----------------------------------|---------------------------|-------------------------------|
| PPII™ METAL HALIDE BALLAST SERIES | | |
| 4/96 | B-K LIGHTING, INC. | DRAWING NUMBER SUB-1137-05 |



Precision²
BY THE QUALITY OF THE LIGHT

In-Grade

HP²RM™ Remote Ballast

| | |
|------------------------|--|
| PROJECT: | |
| TYPE: | |
| CATALOG NUMBER: | |
| SOURCE: | |
| NOTES: | |

CATALOG NUMBER LOGIC



Example

B - HP2RM - H70M - MIT - 120 - CPC

Material

Blank - Aluminum **B** - Brass **S** - Stainless Steel

Remote Ballast Housing

HP2RM - Remote In-Grade (Flush)

Ballast Type

Metal Halide

H35M - (35W) Magnetic **H150M** - (150W) Magnetic **H100E** - (100W) Electronic
H50M - (50W) Magnetic **H35E** - (35W) Electronic **H150E** - (150W) Electronic*
H70M - (70W) Magnetic **H50E** - (50W) Electronic
H100M - (100W) Magnetic **H70E** - (70W) Electronic

* H150E Available in 120 VAC or 277 VAC only. ** S35M Available in 120 VAC Only.

Finish

Aluminum & Brass Faceplates

| Powder Coat Color | Satin | Wrinkle |
|-------------------|------------|------------|
| Bronze | BZP | BZW |
| Black | BLP | BLW |
| White (Gloss) | WHP | WHW |
| Aluminum | SAP | — |
| Verde | — | VER |

Brass Faceplates

| | |
|----------|------------|
| Machined | MAC |
| Polished | POL |
| Mitique™ | MIT |

Stainless Faceplates

| | |
|----------|------------|
| Machined | MAC |
| Polished | POL |
| Brushed | BRU |

Also available in Premium Finishes. See submittal SUB-1439-00 for Premium Finishes.

Input Voltage

120 - 120 Volt
277 - 277 Volt
MT - 120/208/240/277 Volt Multi Tap
Electronic Ballast Only

Ballast Option

CPC - Concrete Pour Collar
Material and Finish to Match Faceplate. May be Field Installed prior to permanent installation of side conduit connectors.

⚠ REMOTE WIRING

Remote ballast installations require inter-connected wiring between the lamp and ballast (by others) and have specific wiring requirements between these components. Ballast manufacturers regularly recommend the following wiring details for such installations.

Electronic Ballast

- 1 Foot Minimum and 15 Foot Maximum Remote Wire Length (Ballast to Lamp Socket).
- Lamp leads must be run in a separate, dedicated metal conduit.
- Lamp leads must be 18 gauge, wire type SF-2 or SFF-2.
- Lamp leads must be placed in a minimum 1/2" internal diameter conduit, pipe, or flexible conduit.
- The use of metal clad cable assemblies or service power cords (SJ, SO, etc.) is prohibited.

Magnetic Ballast

- 35 Watt = 15 Foot Minimum and 50 Foot Maximum Remote Wire Length (Ballast to Lamp Socket).
- >35 Watt = 1 Foot Minimum and 50 Foot Maximum Remote Wire Length (Ballast to Lamp Socket).

Please consult the factory through your local B-K Lighting Sales Representative prior to finalizing any installation detail utilizing remote ballast wiring.

Failure to comply with specific wiring requirements will void product warranty.

BALLAST ELECTRICAL DATA

| BALLAST | TYPE | INPUT VOLTS | INPUT WATTS | INPUT CURRENT | CIRCUIT TYPE | MINIMUM START TEMPERATURE | REMOTE BALLAST WIRE LENGTH |
|---------|------------|-------------|-------------|---------------|--------------|---------------------------|----------------------------|
| H35M | Magnetic | 120 | 53 | 1.10 | HX-HPF | -20° F | 15' Min - 50' Max. |
| H35M | Magnetic | 277 | 56 | 0.40 | HX-HPF | -20° F | 15' Min - 50' Max. |
| H50M | Magnetic | 120 | 72 | 1.00 | HX-HPF | -20° F | 1' Min - 50' Max. |
| H50M | Magnetic | 277 | 72 | 0.50 | HX-HPF | -20° F | 1' Min - 50' Max. |
| H70M | Magnetic | 120 | 90 | 1.90 | HX-HPF | -20° F | 1' Min - 50' Max. |
| H70M | Magnetic | 277 | 90 | 0.80 | HX-HPF | -20° F | 1' Min - 50' Max. |
| H100M | Magnetic | 120 | 129 | 1.50 | HX-HPF | -22° F | 1' Min - 50' Max. |
| H100M | Magnetic | 277 | 118 | 0.35 | HX-HPF | -22° F | 1' Min - 50' Max. |
| H150M | Magnetic | 120 | 185 | 1.90 | HX-HPF | -22° F | 1' Min - 50' Max. |
| H150M | Magnetic | 277 | 173 | 0.75 | HX-HPF | -22° F | 1' Min - 50' Max. |
| H35E* | Electronic | 120 | 44 | 0.39 | HPF | -5° F | 1' Min - 15' Max. |
| H35E* | Electronic | 277 | 44 | 0.17 | HPF | -5° F | 1' Min - 15' Max. |
| H50E* | Electronic | 120 | 58 | 0.49 | HPF | -5° F | 1' Min - 15' Max. |
| H50E* | Electronic | 277 | 58 | 0.21 | HPF | -5° F | 1' Min - 15' Max. |
| H70E* | Electronic | 120 | 79 | 0.67 | HPF | -5° F | 1' Min - 15' Max. |
| H70E* | Electronic | 277 | 79 | 0.29 | HPF | -5° F | 1' Min - 15' Max. |
| H100E* | Electronic | 120 | 110 | 0.90 | HPF | -5° F | 1' Min - 15' Max. |
| H100E* | Electronic | 277 | 110 | 0.41 | HPF | -5° F | 1' Min - 15' Max. |
| H150E* | Electronic | 120 | 167 | 1.40 | HPF | -22° F | 1' Min - 15' Max. |
| H150E* | Electronic | 277 | 167 | 0.61 | HPF | -22° F | 1' Min - 15' Max. |

*Ballast Manufacture's requirement: Wire used must only be 18 gauge, SF2 or SFF2, and be in a dedicated metal conduit of 1/2" I.D. Minimum, per lamp.

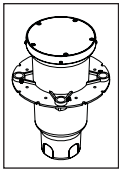
B-K LIGHTING

40429 Brickyard Drive • Madera, CA 93636 • USA
559.438.5800 • FAX 559.438.5900
www.bklighting.com • info@bklighting.com

SUBMITTAL DATE
7-29-11

DRAWING NUMBER
SUB-1797-00

THIS DOCUMENT CONTAINS PROPRIETARY INFORMATION OF B-K LIGHTING, INC. AND ITS RECEIPT OR POSSESSION DOES NOT CONVEY ANY RIGHTS TO REPRODUCE, DISCLOSE ITS CONTENTS, OR TO MANUFACTURE, USE OR SELL ANYTHING IT MAY DESCRIBE. REPRODUCTION, DISCLOSURE OR USE WITHOUT SPECIFIC WRITTEN AUTHORIZATION OF B-K LIGHTING, INC. IS STRICTLY FORBIDDEN.



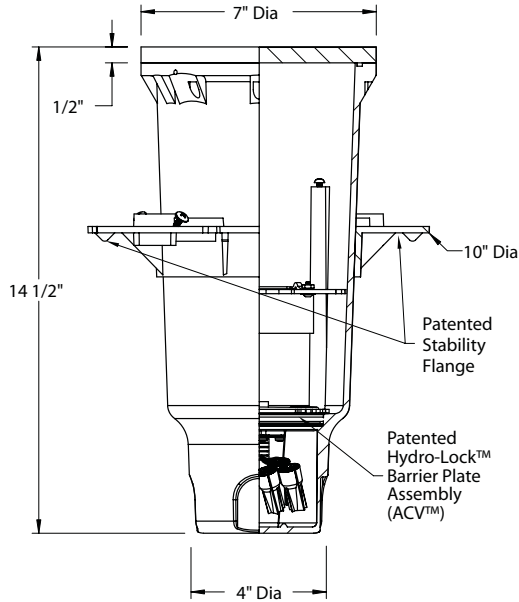
Precision²
THE ART OF LIGHTING

In-Grade

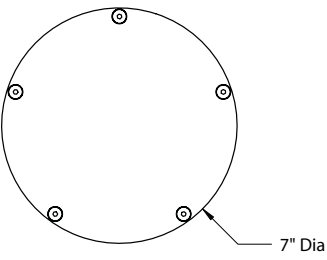
HP²RM™ Remote Ballast

| | |
|-----------------|--|
| PROJECT: | |
| TYPE: | |

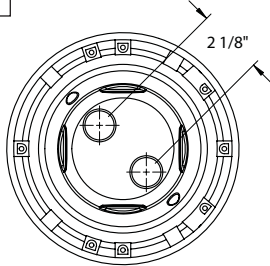
SIDE VIEW



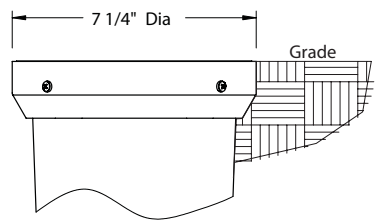
TOP VIEW



BOTTOM VIEW



CPC OPTION



All dimensions indicated on this submittal are nominal. Contact Technical Sales if you require more stringent specifications.

SPECIFICATIONS

GreenSource Initiative™

Metal and packaging components are made from recycled materials. Manufactured using renewable solar energy, produced onsite. Returnable to manufacturer at end of life to ensure cradle-to-cradle handling. Packaging contains no chloro-fluorocarbons (CFC's). RoHS compliant.

Materials

Furnished in Copper-Free Aluminum (Type 6061-T6), Brass (Type 360) or Stainless Steel (Type 304).

Installation

For direct burial in soil or concrete. For use with remote metal halide fixture (specified separately). Suitable for walk-over and drive-over applications.

Faceplate

Solid, 1/2" machined faceplate with (5) black oxidized, captive, stainless steel mounting screws. Faceplate installs flush to grade.

Housing

Corrosion-free composite, made from high strength, thermo-formed, sheet molded polyester compound. Glass reinforced, flame retardant and UV stabilized. (2) Bottom-Entry, 3/4" NPT female conduit entries with knockout plugs and (4) side flats for 1/2" or 3/4" conduit adapters.

Stability Flange

Patented, corrosion-free composite flange projects into installation sub-strate to reinforce housing stability. Integral REBAR saddles simplify installation onto concrete form. (4) Orthogonal bosses permit use of 1/2" PVC conduit or EMT to simplify vertical position and leveling of housing. Pre-set self-tapping screws anchor housing at proper elevation.

Water Management

IP-68 rated, vacuum sealed enclosure. Patented Anti-Condensation Valve (ACV™) eliminates condensation from ballast chamber. High temperature silicone 'O' Ring at faceplate. Patented HydroLock® technology provides fail safe water barrier between junction box and interior components. Anti-siphon valve (ASV™) prevents "wicking" through conductor insulation.

Installation

For direct burial in soil or concrete. Consult Drainage Installation Guide for In-Grade Fixtures (DIG-IT) for compliance with proper soil preparation and drainage requirements prior to installation.

Magnetic Ballast

Class H insulated, integral, high power factor, magnetic ballast. 120V or 277V primary voltage, 60Hz. Integral, removable gear tray with quick disconnect and carrying handle.

Electronic Ballast

High power factor, integral, electronic ballast. Multi-Tap (120/208/240/277V) primary voltage 50/60Hz. H150E available in 120V, or 277V primary voltage. 50/60Hz. Integral, removable gear tray with quick disconnect and carrying handle.

Wiring / Connectors

Teflon® coated wire, 18 gauge, 600V, 250°C rated and certified to UL1659 standard. Gear tray quick disconnects. Patented HydroLock® with anti-siphon valve (ASV™) wireway. (5) Water-tight connectors supplied for branch circuit and lamp connection. Maximum (2) #10 & (1) #18. Minimum (1) #12 & (1) #18 per connector.

Finish

StarGuard® (Pat. Pend.), a 15 stage chromate-free process cleans and conversion coats aluminum components prior to application of Class 'A' TGIC polyester powder coating. RoHS compliant.

Warranty

5 year limited warranty.

Listings

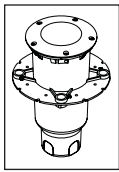
ETL Listed to ANSI/UL Standard 1598 and Certified to CAN/CSA Standard C22.2 No. 250. IP-68 Rated. RoHS compliant. Made in USA.



*Teflon is a registered trademark of DuPont Corporation.

| | | | |
|---------------------|---|----------------|----------------|
| B-K LIGHTING | 40429 Brickyard Drive • Madera, CA 93636 • USA 559.438.5800 • FAX 559.438.5900 www.bklighting.com • info@bklighting.com | SUBMITTAL DATE | DRAWING NUMBER |
| | | 7-29-11 | SUB-1797-00 |

Precision2® and its features are covered in whole or in part by U.S. Patent Nos. 7,033,038; 6,254,258 B1; 7,249,867 B2; 7,370,988 B2; 7,553,042; 7,560,148; and 7,699,489



Precision²
BY THE NAME OF STRAIN LIGHTING

In-Grade

CO²RM™ Remote Ballast

| | |
|------------------------|--|
| PROJECT: | |
| TYPE: | |
| CATALOG NUMBER: | |
| SOURCE: | |
| NOTES: | |

CATALOG NUMBER LOGIC



Example

S - CO2RM - H35E - POL - MT

Material

Blank - Aluminum B - Brass S - Stainless Steel

Remote Ballast Housing

CO2RM - Remote In-Grade (Flush)

Ballast Type

Metal Halide

H35M - (35W) Magnetic **H150M** - (150W) Magnetic **H100E** - (100W) Electronic
H50M - (50W) Magnetic **H35E** - (35W) Electronic **H150E** - (150W) Electronic*
H70M - (70W) Magnetic **H50E** - (50W) Electronic
H100M - (100W) Magnetic **H70E** - (70W) Electronic

* H150E Available in 120 VAC or 277 VAC only. ** S35M Available in 120 VAC only.

Finish

Aluminum & Brass Faceplates

| Powder Coat Color | Satin | Wrinkle |
|-------------------|------------|------------|
| Bronze | BZP | BZW |
| Black | BLP | BLW |
| White (Gloss) | WHP | WHW |
| Aluminum | SAP | — |
| Verde | — | VER |

Brass Faceplates

| | |
|----------|------------|
| Machined | MAC |
| Polished | POL |
| Mitique™ | MIT |

Stainless Faceplates

| | |
|----------|------------|
| Machined | MAC |
| Polished | POL |
| Brushed | BRU |

Also available in Premium Finishes. See submittal SUB-1439-00 for Premium Finishes.

Input Voltage

120 - 120 Volt
277 - 277 Volt
MT - 120/208/240/277 Volt Multi Tap
Electronic Ballast Only

⚠ REMOTE WIRING

Remote ballast installations require inter-connected wiring between the lamp and ballast (by others) and have specific wiring requirements between these components. Ballast manufacturers regularly recommend the following wiring details for such installations.

Electronic Ballast

- 1 Foot Minimum and 15 Foot Maximum Remote Wire Length (Ballast to Lamp Socket).
- Lamp leads must be run in a separate, dedicated metal conduit.
- Lamp leads must be 18 gauge, wire type SF-2 or SFF-2.
- Lamp leads must be placed in a minimum 1/2" internal diameter conduit, pipe, or flexible conduit.
- The use of metal clad cable assemblies or service power cords (SJ, SO, etc.) is prohibited.

Magnetic Ballast

- 35 Watt = 15 Foot Minimum and 50 Foot Maximum Remote Wire Length (Ballast to Lamp Socket).
- >35 Watt = 1 Foot Minimum and 50 Foot Maximum Remote Wire Length (Ballast to Lamp Socket).

Please consult the factory through your local B-K Lighting Sales Representative prior to finalizing any installation detail utilizing remote ballast wiring.

Failure to comply with specific wiring requirements will void product warranty.

BALLAST ELECTRICAL DATA

| BALLAST | TYPE | INPUT VOLTS | INPUT WATTS | INPUT CURRENT | CIRCUIT TYPE | MINIMUM START TEMPERATURE | REMOTE BALLAST WIRE LENGTH |
|---------|------------|-------------|-------------|---------------|--------------|---------------------------|----------------------------|
| H35M | Magnetic | 120 | 53 | 1.10 | HX-HPF | -20° F | 15' Min - 50' Max. |
| H35M | Magnetic | 277 | 56 | 0.40 | HX-HPF | -20° F | 15' Min - 50' Max. |
| H50M | Magnetic | 120 | 72 | 1.00 | HX-HPF | -20° F | 1' Min - 50' Max. |
| H50M | Magnetic | 277 | 72 | 0.50 | HX-HPF | -20° F | 1' Min - 50' Max. |
| H70M | Magnetic | 120 | 90 | 1.90 | HX-HPF | -20° F | 1' Min - 50' Max. |
| H70M | Magnetic | 277 | 90 | 0.80 | HX-HPF | -20° F | 1' Min - 50' Max. |
| H100M | Magnetic | 120 | 129 | 1.50 | HX-HPF | -22° F | 1' Min - 50' Max. |
| H100M | Magnetic | 277 | 118 | 0.35 | HX-HPF | -22° F | 1' Min - 50' Max. |
| H150M | Magnetic | 120 | 185 | 1.90 | HX-HPF | -22° F | 1' Min - 50' Max. |
| H150M | Magnetic | 277 | 173 | 0.75 | HX-HPF | -22° F | 1' Min - 50' Max. |
| H35E* | Electronic | 120 | 44 | 0.39 | HPF | -5° F | 1' Min - 15' Max. |
| H35E* | Electronic | 277 | 44 | 0.17 | HPF | -5° F | 1' Min - 15' Max. |
| H50E* | Electronic | 120 | 58 | 0.49 | HPF | -5° F | 1' Min - 15' Max. |
| H50E* | Electronic | 277 | 58 | 0.21 | HPF | -5° F | 1' Min - 15' Max. |
| H70E* | Electronic | 120 | 79 | 0.67 | HPF | -5° F | 1' Min - 15' Max. |
| H70E* | Electronic | 277 | 79 | 0.29 | HPF | -5° F | 1' Min - 15' Max. |
| H100E* | Electronic | 120 | 110 | 0.90 | HPF | -5° F | 1' Min - 15' Max. |
| H100E* | Electronic | 277 | 110 | 0.41 | HPF | -5° F | 1' Min - 15' Max. |
| H150E* | Electronic | 120 | 167 | 1.40 | HPF | -22° F | 1' Min - 15' Max. |
| H150E* | Electronic | 277 | 167 | 0.61 | HPF | -22° F | 1' Min - 15' Max. |

*Ballast Manufacture's requirement: Wire used must only be 18 gauge, SF2 or SFF2, and be in a dedicated metal conduit of 1/2" I.D. Minimum, per lamp.

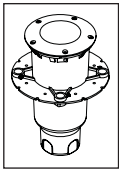
B-K LIGHTING

40429 Brickyard Drive • Madera, CA 93636 • USA
559.438.5800 • FAX 559.438.5900
www.bklighting.com • info@bklighting.com

SUBMITTAL DATE
7-29-11

DRAWING NUMBER
SUB-1798-00

THIS DOCUMENT CONTAINS PROPRIETARY INFORMATION OF B-K LIGHTING, INC. AND ITS RECEIPT OR POSSESSION DOES NOT CONVEY ANY RIGHTS TO REPRODUCE, DISCLOSE ITS CONTENTS, OR TO MANUFACTURE, USE OR SELL ANYTHING IT MAY DESCRIBE. REPRODUCTION, DISCLOSURE OR USE WITHOUT SPECIFIC WRITTEN AUTHORIZATION OF B-K LIGHTING, INC. IS STRICTLY FORBIDDEN.



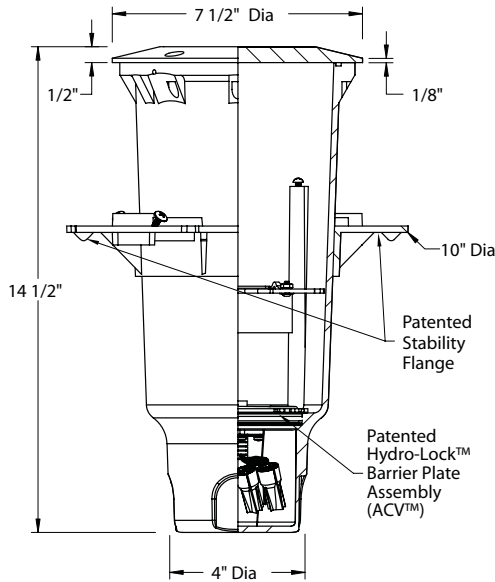
Precision²
THE ART OF LIGHTING

In-Grade

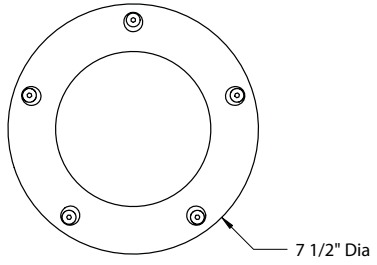
CO²RM™ Remote Ballast

| | |
|-----------------|--|
| PROJECT: | |
| TYPE: | |

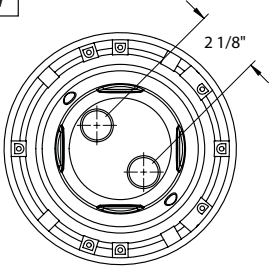
SIDE VIEW



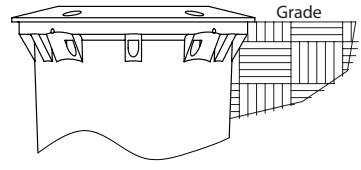
TOP VIEW



BOTTOM VIEW



INSTALLATION DETAIL



All dimensions indicated on this submittal are nominal. Contact Technical Sales if you require more stringent specifications.

SPECIFICATIONS

GreenSource Initiative™
 Metal and packaging components are made from recycled materials. Manufactured using renewable solar energy, produced onsite. Returnable to manufacturer at end of life to ensure cradle-to-cradle handling. Packaging contains no chloro-fluorocarbons (CFC's). RoHS compliant.

Materials
 Furnished in Copper-Free Aluminum (Type 6061-T6), Brass (Type 360) or Stainless Steel (Type 304).

Installation
 For installation into finished architectural hardscape materials (i.e. tile, stone, pavers). For use with remote metal halide fixture (specified separately). Suitable for walk-over and drive-over applications.

Faceplate
 Solid, 1/2" machined faceplate with (5) black oxidized, captive, stainless steel mounting screws. 1/4" continuous flange conceals seam between housing and hardscape material. Faceplate installs above grade. ADA compliant.

Housing
 Corrosion-free composite, made from high strength, thermo-formed, sheet molded polyester compound. Glass reinforced, flame retardant and UV stabilized. (2) Bottom-Entry, 3/4" NPT female conduit entries with knockout plugs and (4) side flats for 1/2" or 3/4" conduit adapters.

Stability Flange
 Patented, corrosion-free composite flange projects into installation sub-strate to reinforce housing stability. Integral REBAR saddles simplify installation onto concrete form. (4) Orthogonal bosses permit use of 1/2" PVC conduit or EMT to simplify vertical position and leveling of housing. Pre-set self-tapping screws anchor housing at proper elevation.

Water Management
 IP-68 rated, vacuum sealed enclosure. Patented Anti-Condensation Valve (ACV™) eliminates condensation from ballast chamber. High temperature silicone 'O' Ring at faceplate. Patented HydroLock® technology provides fail safe water barrier between junction box and interior components. Anti-siphon valve (ASV™) prevents "wicking" through conductor insulation.

Installation
 For direct burial in soil or concrete. Consult Drainage Installation Guide for In-Grade Fixtures (DIG-IT) for compliance with proper soil preparation and drainage requirements prior to installation.

Magnetic Ballast
 Class H insulated, integral, high power factor, magnetic ballast. 120V or 277V primary voltage, 60Hz. Integral, removable gear tray with quick disconnect and carrying handle.

Electronic Ballast
 High power factor, integral, electronic ballast. Multi-Tap (120/208/240/277V) primary voltage 50/60Hz. H150E available in 120V, or 277V primary voltage. 50/60Hz. Integral, removable gear tray with quick disconnect and carrying handle.

Wiring / Connectors
 Teflon® coated wire, 18 gauge, 600V, 250°C rated and certified to UL1659 standard. Gear tray quick disconnects. Patented HydroLock® with anti-siphon valve (ASV™) wireway. (5) Water-tight connectors supplied for branch circuit and lamp connection. Maximum (2) #10 & (1) #18. Minimum (1) #12 & (1) #18 per connector.

Finish
 StarGuard® (Pat. Pend.), a 15 stage chromate-free process cleans and conversion coats aluminum components prior to application of Class 'A' TGIC polyester powder coating. RoHS compliant.

Warranty
 5 year limited warranty.

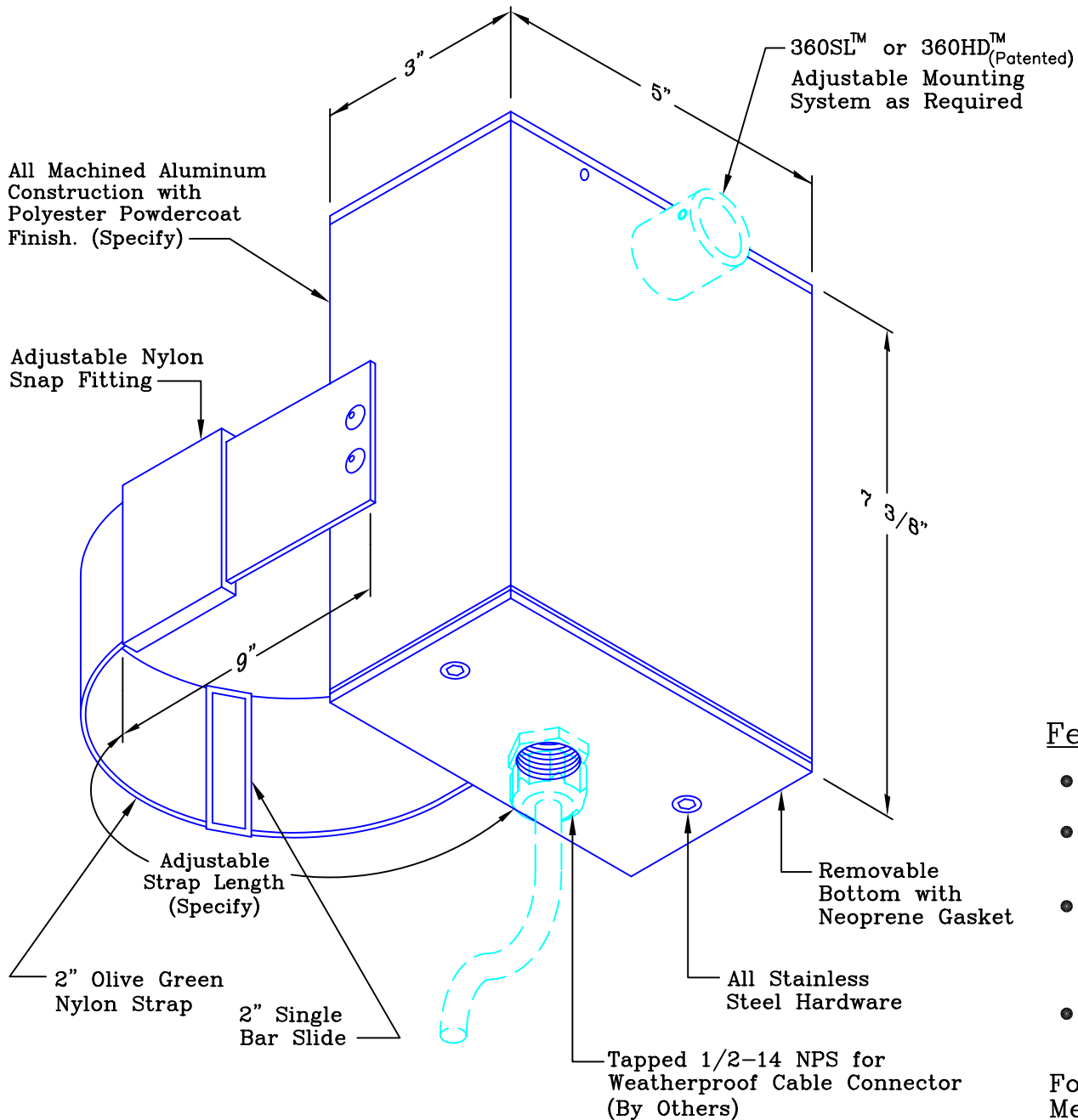
Listings
 ETL Listed to ANSI/UL Standard 1598 and Certified to CAN/CSA Standard C22.2 No. 250. IP-68 Rated. RoHS compliant. Made in USA.



*Teflon is a registered trademark of DuPont Corporation.

| | | | |
|---------------------|---|----------------|----------------|
| B-K LIGHTING | 40429 Brickyard Drive • Madera, CA 93636 • USA 559.438.5800 • FAX 559.438.5900 www.bklighting.com • info@bklighting.com | SUBMITTAL DATE | DRAWING NUMBER |
| | | 7-29-11 | SUB-1798-00 |

Precision2® and its features are covered in whole or in part by U.S. Patent Nos. 7,033,038; 6,254,258 B1; 7,249,867 B2; 7,370,988 B2; 7,553,042; 7,560,148; and 7,699,489



CATALOG NUMBER LOGIC
 (Add to Fixture Catalog Number)

EXAMPLE: TSB - 35 - E - 48"

Series:
 TSB

Wattage:
 35 - 35 Watt Ballast
 70 - 70 Watt Ballast
 100 - 100 Watt Ballast

Ballast Type:
 E - Electronic Multi Tap 120/208/240/277

Adjustable Strap Length:
 3" Minimum

Features:

- All Precision Machined Aluminum Housing, with Stainless Steel Hardware.
- 360SL™ or 360HD™ (Patented) Adjustable Mounting System, Allows Rotational Adjustment with O-Ring Seal and Tamperproof Design.
- 35W, 70W, or 100W, Multi Tap 120V/208V/240V/277V Input, High Power Factor Electronic Metal Halide Ballast. (Specify)
- (100W Ballasts for use with K2™ Series Fixtures Only)

For Use With EV™, SE™, K2™, YO™, or SU™ Series Metal Halide Fixtures.

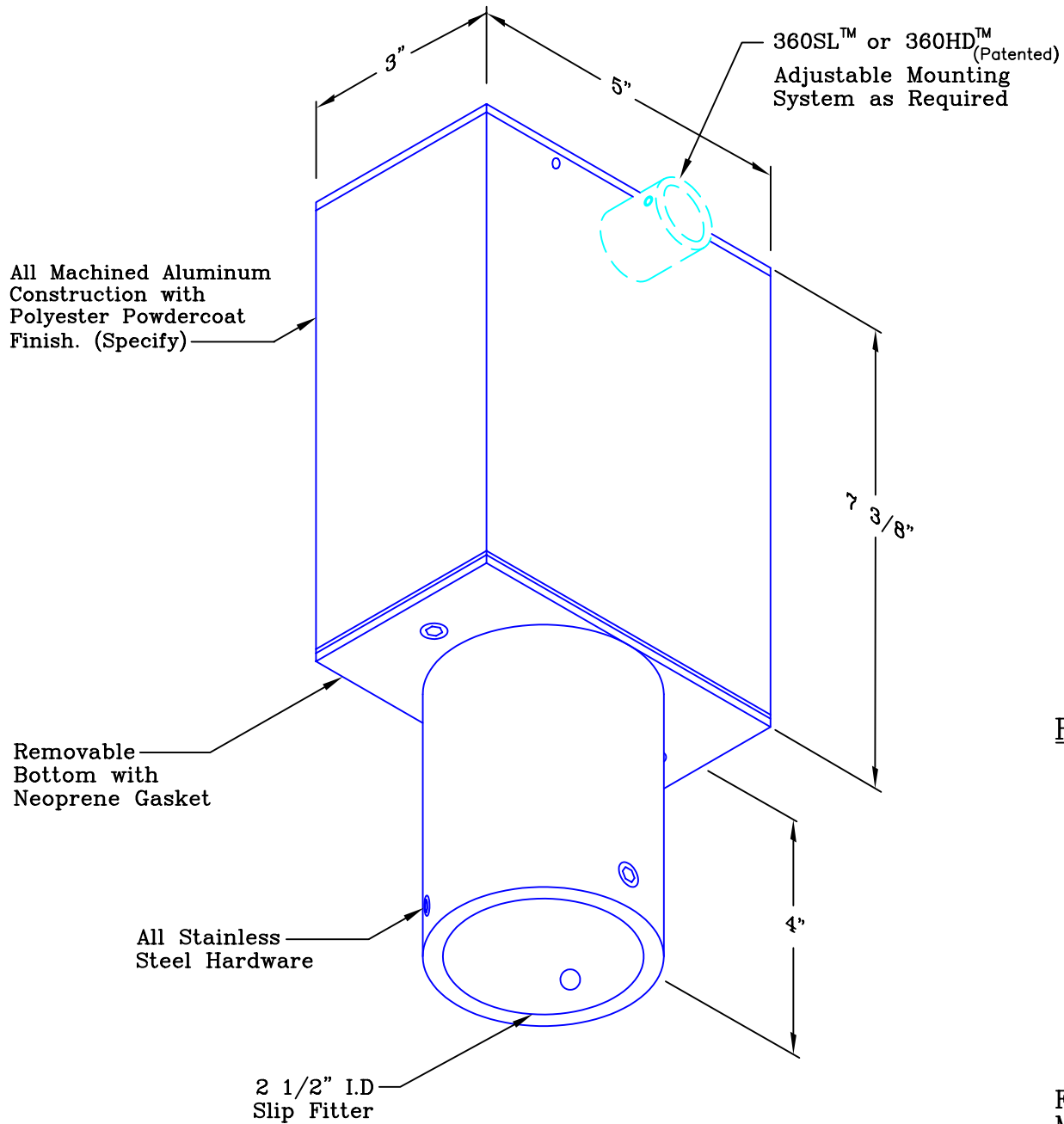


TREE STRAP™ ELECTRONIC BALLAST

4/00

B-K LIGHTING, INC.

DRAWING NUMBER
 SUB-1156-06



CATALOG NUMBER LOGIC

(Add to Fixture Catalog Number)

EXAMPLE: TMB - 70 - E

Series:

TMB

Wattage:

35 - 35 Watt Ballast

70 - 70 Watt Ballast

100 - 100 Watt Ballast

Ballast Type:

E - Electronic Multi Tap 120/208/240/277

Features:

- All Precision Machined Aluminum Housing, with Stainless Steel Hardware.
- 360SL™ or 360HD™ (Patented) Adjustable Mounting System, Allows Rotational Adjustment with O-Ring Seal and Tamperproof Design.
- 35W, 70W, or 100W, Multi Tap 120V/208V/240V/277V Input, High Power Factor Electronic Metal Halide Ballast. (Specify)
- (100W Ballasts for use with K2™ Series Fixtures Only)

For Use With EV™, SE™, K2™, YO™, or SU™ Series Metal Halide Fixtures.

TMB
For Mounting To
2" IPS (2 3/8" O.D.)
Tenon



| | |
|---------------------------------|--------------------|
| TENON MOUNT ELECTRONIC BALLAST™ | |
| 12/97 | B-K LIGHTING, INC. |
| DRAWING NUMBER SUB-1181-04 | |